

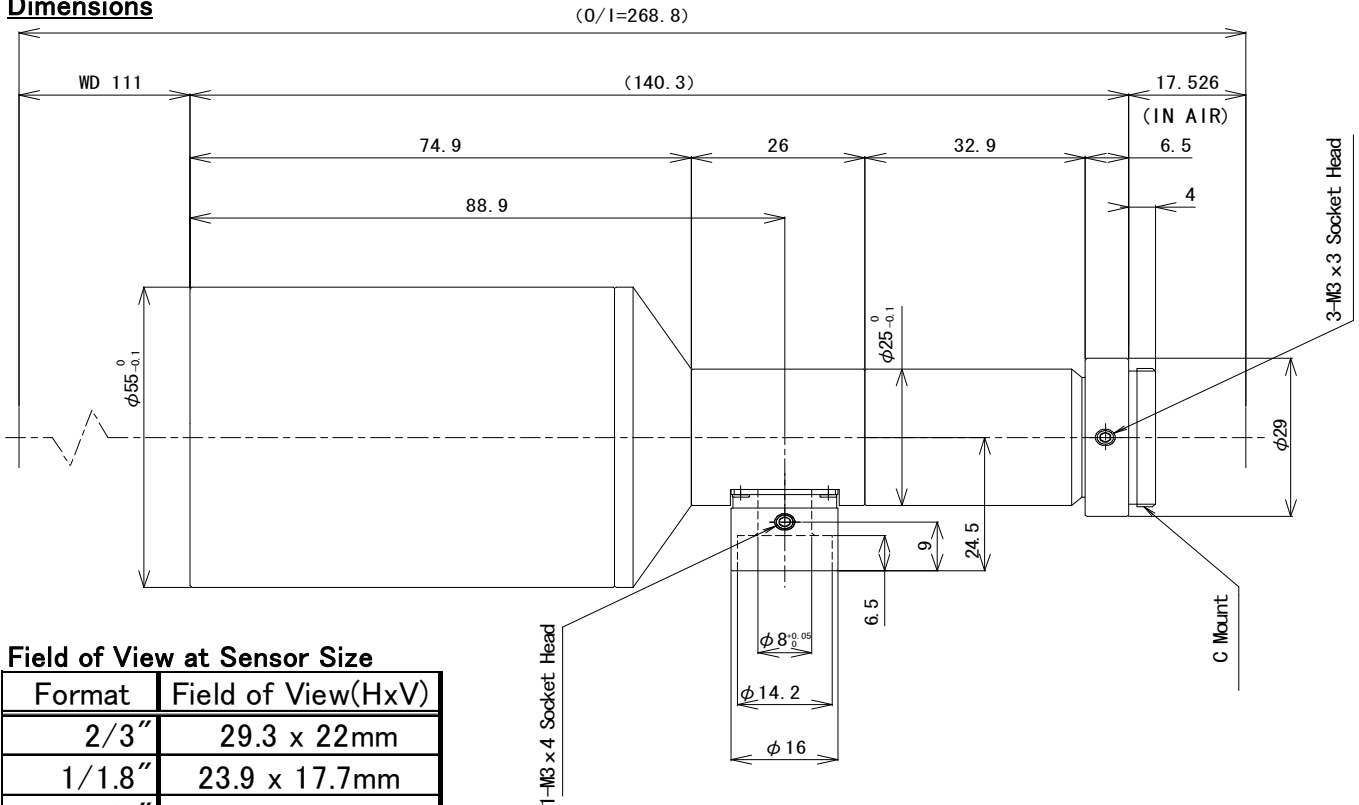
TEC-M03110MPC

Magnification 0.3X, WD110mm
for 2/3 type Cameras, 2 Megapixel Telecentric Lens
C-Mount, with Coaxial type

Model No.	TEC-M03110MPC		NA	0.023
Magnification	0.3X	TV Distortion	2/3 type	0.026%
Working Distance	111mm	Back Focal Length	17.0mm	
Effective F Number	6.5	Flange Back Length	17.526mm	
Max. Image Format	φ 11mm	Mount	C-Mount	
Control	Iris	-	Filter Size	-
	Focus	-		
Field of View	29.3mm(H) x 22mm(V) 2/3"		Dimensions	φ 55mm x 140.3mm
Resolving Power *1	14.5μm	Weight	TBA	
Depth of Field *2	5.75mm	Operating Temperature	-10°C - +50°C	

*1:Theoretical resolution calculated with a wavelength of 550nm
 *2:Value calculated with a permissible circle of confusion of 40 μ m

Dimensions



Field of View at Sensor Size

Format	Field of View(HxV)
2/3"	29.3 x 22mm
1/1.8"	23.9 x 17.7mm
1/2"	21.3 x 16mm
1/3"	16 x 12mm