

MARS SERIES

MARS-880-13GM/C-P



- Ultra small, light and robust
- 1" Global Shutter CMOS sensor
- Compatible with GenICam™ and GigE Vision®
- Gigabit Ethernet Interface
- Power over Ethernet (PoE)
- 8.8 Megapixels
- 2 Programmable GPIOs

The MARS GigE PoE series (MARS-G-P) camera is DAHENG IMAGING's large sensor industrial digital camera, featuring high resolution, high definition and low noise.

MARS-880-13GM/C-P is a monochrome/color GigE Vision camera with the Sony IMX267 CMOS sensor. The MARS GigE PoE series camera can be powered over Ethernet and has opto-isolated I/Os. Thanks to locking screw connectors, the MARS cameras can secure the reliability of cameras deployed in harsh environments, the MARS cameras are high reliability and price/performance industrial digital cameras.

Compact, robust, outstanding performance, attractive price, easy installation and use are especially suitable for machine vision applications such as industrial inspection, medical, scientific research, education, security and so on.

Features

- Compact and robust
- Power over Ethernet (IEEE802.3af compliant)
- Operating mode: continuous acquisition, software trigger acquisition and external trigger acquisition
- Adjustable packet-size and packet-delay
- Support LUTs and storable user sets
- Power over 12V DC and 24V DC
- Reliability net data transmission and more compatible network cards
- Robust full metal housing and optional lockable devices
- Long cable lengths: up to 100 m (without any hubs, repeaters etc.)
- Compatible with GenICam™ and GigE Vision®, can be used in a wide range of 3rd-party software such as HALCON, MERLIC and LabVIEW directly
- Optimized software package for 32/64bit Windows, and support Linux, ARMv7 and ARMv8
- Multiple samples and easy-to-integrate SDKs for various programming tools
- Regulations: CE, RoHS, KCC, GenICam, GigE Vision, IEEE802.3af (PoE)

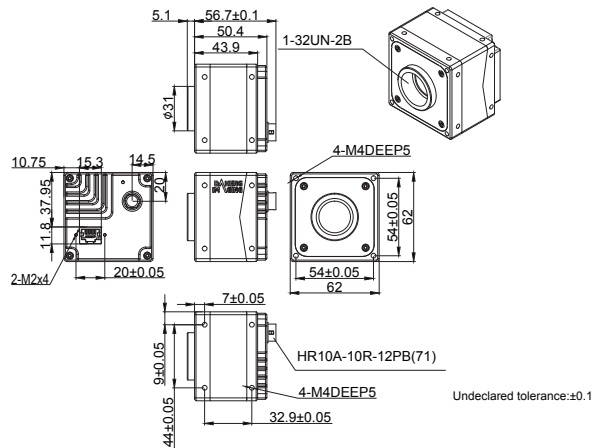
Performance Specifications

Model	MARS-880-13GM/C-P
Interface	GigE
Resolution	4096(H) × 2160(V)
Frame rate	13 fps
Sensor	1" Global Shutter Sony IMX267 CMOS
Pixel size	3.45 μm × 3.45 μm
Spectrum	Monochrome / Color
Exposure time	36μs~1s

Mechanical Specifications

Weight	274g
Dimensions	62x62x50.4 mm, w/o adapter & connectors

Technical Drawing



Units: mm

Electrical Specifications

Power requirement	12V~24V DC via 12-Pin or PoE
I/Os	1 input / 1 output, 2 GPIOs
Data interface	RJ45
Power consumption	3W@12V, 3.5W@PoE

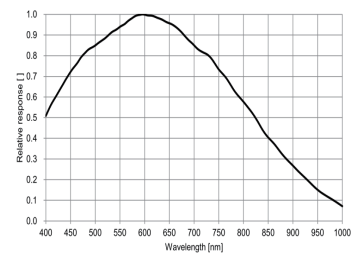
Environmental Specifications

Operating temp.	0°C ~ +45°C
Storage temp.	-20°C ~ +70°C
Operating humidity	10% ~ 80%

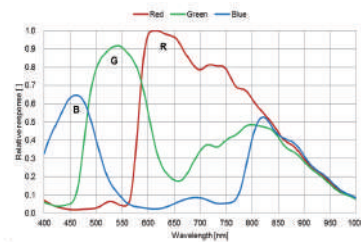
Optical Specifications

Lens mount	C-Mount/ F-Mount (optional)
------------	-----------------------------

Spectral Response



MARS-880-13GM-P



MARS-880-13GC-P

China Daheng Group, Inc. Beijing Image Vision Technology Branch

12F Daheng Science & Technology Tower, No.3 Suzhou Street, Haidian District,

Beijing China, 100080

Tel: +86 10 82828878

E-mail: isales@daheng-imaging.com

For more information please visit : www.daheng-imaging.com/en

Specifications are subject to change without prior notice.

Copyright © 2019 China Daheng Group, Inc. Beijing Image Vision Technology Branch. All rights reserved.

May 08, 2020